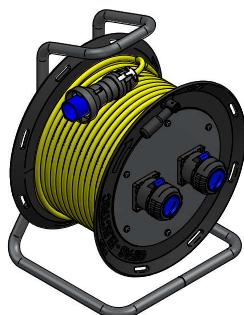


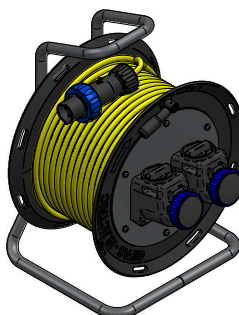


Explosionproof cable reel type 573

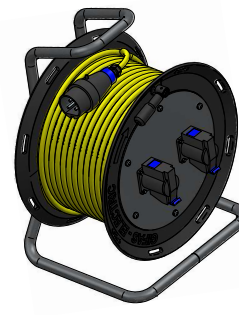
zones 1 and 2



CEAG
Item no. 860633



STAHL
Item no. 860636



APPLETON
Item no. 860639

Description

This explosionproof cable reel is suitable for use in zone 1 and 2 hazardous areas.

The drum body is made of elastomer. This material is resistant to oils and fats, guarantees high mechanical resistance and is responsible for the reliability and long service life of this cable reel.

The cable reel excels points with a compact and robust design and a stable tubular steel cradle mounted on ball bearings, whose crank handle can be rotated and folded away.

The cable reel Ex type 573 has been designed for use in industrial applications and meets the requirements of device group II (for use in potentially explosive atmospheres, e.g. when using explosive mixtures of gases, mists, vapours in the air).

The applied degrees of protection are «Flameproof Enclosure (d)» and «Increased Safety (e)»; gas group IIC is applicable. The temperature class with respect to the ignition of gas is T6.

Compliance with the Essential Health and Safety Requirements was ensured through compliance with EN 60079-0: 2012 / A11: 2013 (General requirements), EN 60079-1: 2014 (Equipment protection by flameproof enclosures "d"), EN 60079-7: 2015 (Equipment protection by increased safety "e"), EN 60079-14: 2014 (Design, selection and construction of electrical installations) and EN 60529: 2016 (Degrees of protection provided by enclosures).

Area of application

Its robust execution means that the cable reel Ex type 573 is suitable for a wide range of applications for the maintenance of electrical equipment in hazardous areas.

Areas of application:

- chemical industry
- bottling plants for high-proof spirits
- sewage treatment plants

The target groups are experienced qualified electricians pursuant to the Ordinance on Industrial Safety and Health (BetrSichV) and instructed persons.

Technical Data

Designation:	EX II 2G / CE1258
Explosion protection:	Ex db ed IIC T6 Gb
EC-type examination certificate:	SEV 18 ATEX 0130
Rated voltage:*	to 750 V, 50/60 Hz
Rated current:*	max. 32 A
Temperature range:	–20° C to +40° C
Protection category:	IP66
Protection class:	II
Max. load:	
– Cable 3×2.5 mm ² :	unrolled 3'600 W / 230 V
– Cable 5×2.5 mm ² :	unrolled 11'000 W / 400 V
– Cable 5×6 mm ² :	unrolled 22'000 W / 400 V
Unladen weight:	ca. 9 kg
Cable type:	H07RN-F yellow
Socket types:	CEAG; STAHL; APPLETON

* The rated values are maximum values, the actual electrical values are determined by the installed electrical equipment, see nameplate specifications.

Product properties and characteristics

The basic properties and advantages of the explosion-protected cable reel type 573 are:

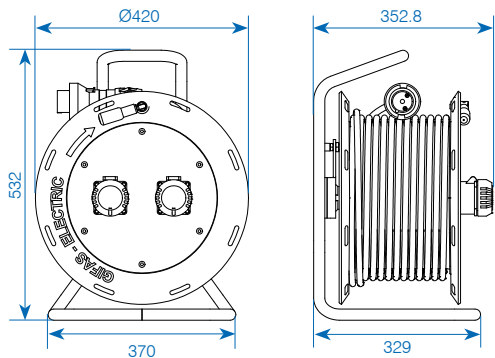
- robust housing of conductive elastomer
- mounting plates for sockets as a connection to the cradle are of stainless steel
- the connection is provided via Ex e terminals on the socket
- a pivot bearing is used instead of an axis
- the minimum requirement for the cable is H07

Advantages

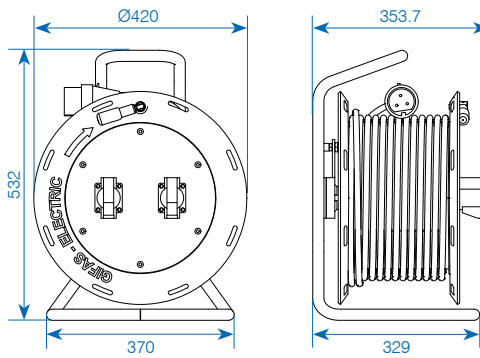
- extremely low conductivity (<10⁹)
- internal ball bearing
- hard reel body
- easy maintenance inside the reel (no additional enclosure)

CEAG

APPLETON

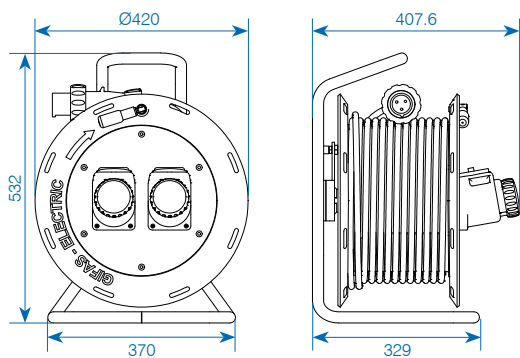


Item no. 860633



Item no. 860639

STAHL



Item no. 860636

System «CEAG»

Item no.	Symbol output	Output	Cable length	Cable Ø	Input / Plug
860673		1×CEAG 16/3	50m	3×2.5 Proflex	CEAG 16/3
860889		1×CEAG 16/3	30m	3×2.5 Proflex	CEAG 16/3
✓ 860633		2×CEAG 16/3	25m	3×2.5 Proflex	CEAG 16/3
860634		1×CEAG 16/3, 1×CEAG 16/5	25m	5×2.5 Proflex	CEAG 16/5
860635		1×CEAG 32/5	20m	5×6 Proflex	CEAG 32/5

System «STAHL»

Item no.	Symbol output	Output	Cable length	Cable Ø	Input / Plug
860675		1×STAHL 16/3	30m	3×2.5 Proflex	STAHL 16/3
860636		2×STAHL 16/3	25m	3×2.5 Proflex	STAHL 16/3
860637		1×STAHL 16/3, 1×STAHL 16/5	25m	5×2.5 Proflex	STAHL 16/5
860638		1×STAHL 32/5	20m	5×6 Proflex	STAHL 32/5

System «APPLETON»

Item no.	Symbol output	Output	Cable length	Cable Ø	Input / Plug
860677		1×APPLETON 16/3	30m	3×2.5 Proflex	APPLETON 16/3
860639		2×APPLETON 16/3	25m	3×2.5 Proflex	APPLETON 16/3
860640		1×APPLETON 16/3, 1×APPLETON 16/5	25m	5×2.5 Proflex	APPLETON 16/5
860641		1×APPLETON 32/5	20m	5×6 Proflex	APPLETON 32/5

✓ from stock, offer subject to prior sale